

Polarization Maintaining Optical Circulator

Product Features

- High Isolation
- Low Insertion Loss
- High Extinction Ratio
- Excellent Stability and Reliability



Product Applications

- Research
- Fiber Sensors
- Coherent Detecting
- Fiber Optic instruments

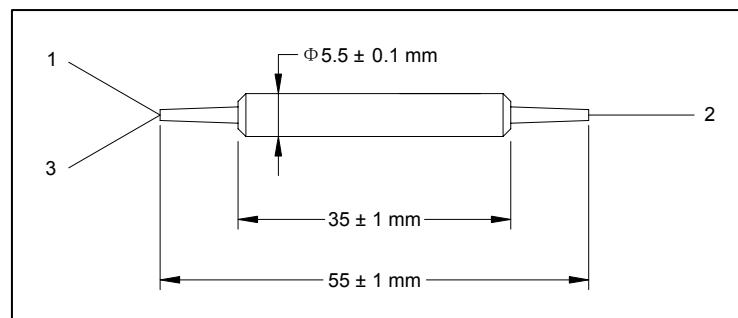
Specifications

Parameter	Unit	Type A	Type B
Central Wavelength (λ_c)	nm	1310 or 1550	
Operating Wavelength Range	nm	± 30	± 20
Insertion Loss, λ_c , 23°C	Typ.	0.7	0.6
	Max.	0.9	0.8
Peak Isolation	Typ.	52	40
Isolation, λ_c , 23°C	Typ.	46	30
Isolation, 23°C	Min.	40	20
Extinction Ratio	Min.	22	20
Crosstalk	Min.	50	
Return Loss	Min.	50	
Optical Power (Continuous Wave)	Max.	300	
Tensile Load	Max.	5	
Operating Temperature	°C	-5 to +70	
Storage Temperature	°C	-40 to +85	

IL is 0.3 dB higher, RL is 5 dB lower, and ER is 2 dB lower for each connector added. Connector key is aligned to slow axis.

The routes incoming signals from Port 1 to Port 2, and incoming Port 2 signals to Port 3.

Package Dimensions



Ordering Information

P	M	O	C	I	R						
Wavelength	Type	Package	Pigtail	Fiber Type	Fiber Length	Connector					
4=1550nm 7=1310nm	A=Type A B=Type B	C=∅5.5 x L35	S=250um bare fiber pigtail M=0.9mm loose tube	E=Panda fiber	0=0.5m 1=0.75m 2=1.0m	0=None 3=FC/APC 5=SC/APC 7=FC/UPC 8=SC/UPC					

Note: All specifications are before connectorization and subject to change without notice.